

# POLYWOOD

## Assembly Instructions



### ..... 20-Year Warranty .....

To view our full warranty, please visit  
[polywoodoutdoor.com/warranty](http://polywoodoutdoor.com/warranty)

Easily register your product using  
one of the methods below:

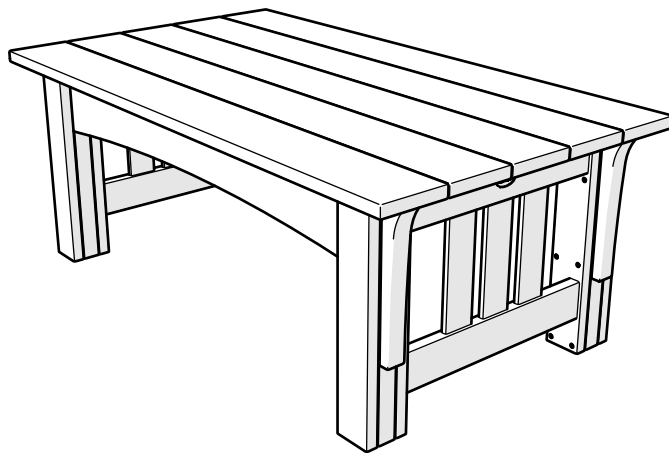
**Text POLYWOOD to 71403**  
Receive a link to register online

— or —

**Register on our website**  
[register.polywoodoutdoor.com](http://register.polywoodoutdoor.com)

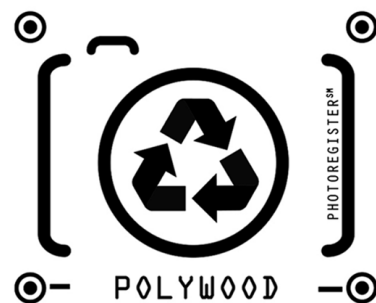
— or —

**Send a Picture**  
Take a photo of the icon below and  
text it to 71403 (US only)



**NO ASSEMBLY REQUIRED**

**MS2748**  
**Mission Coffee Table**





## ..... Having Trouble? .....

If you have questions or concerns regarding assembly instructions or missing parts, please contact us at **(833) 665-6300** or email [support@polywoodoutdoor.com](mailto:support@polywoodoutdoor.com)



## ..... Share your space .....

We love to see where our furniture ends up — snap a pic and share it on Instagram or Facebook!  
**#polywood**



## ..... Watch & Learn .....

For assembly videos and more, visit [youtube.com/polywood](https://www.youtube.com/polywood)



## ..... Cleaning Tips .....

Even POLYWOOD gets dirty — here are some ways to help keep it clean:

### For a quick clean:

Simply wipe down with soap and water.

### For a deeper clean:

You'll need:

- » 1/3 bleach and 2/3 water solution
- » clean cloth
- » soft bristle brush

Wipe on solution with your cloth and let it sit on the lumber for a few minutes (this will not affect the color). Then, loosen any dirt and debris that may catch in surface grooves with a soft bristle brush; hose down to rinse.