

POLYWOOD

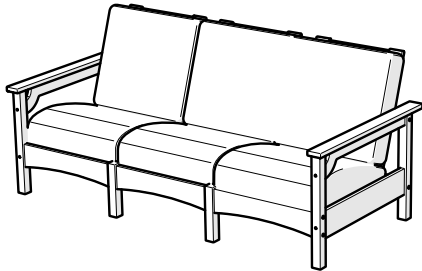
Assembly Instructions

This instruction booklet showcases how to assemble the products listed below:

SOFA

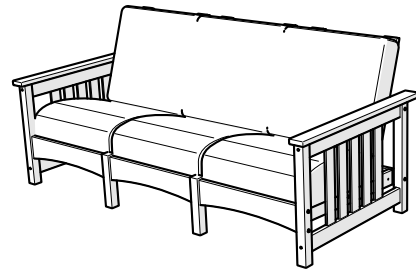
CLC71

Club Sofa



CMC71

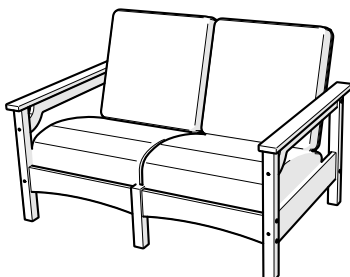
Mission Sofa



SETTEE

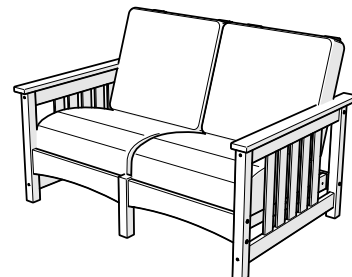
CLC47

Club Settee



CMC47

Mission Settee





..... Having Trouble?

If you have questions or concerns regarding assembly instructions or missing parts, please contact us at (877) 457-3284 or email support@polywoodoutdoor.com



..... Share your space

We love to see where our furniture ends up — snap a pic and share it on Instagram or Facebook!

#polywood



..... Watch & Learn

For assembly videos and more, visit youtube.com/polywood



..... Cleaning Tips

Even POLYWOOD gets dirty — here are some ways to help keep it clean:

For a quick clean:

Simply wipe down with soap and water.

For a deeper clean:

You'll need:

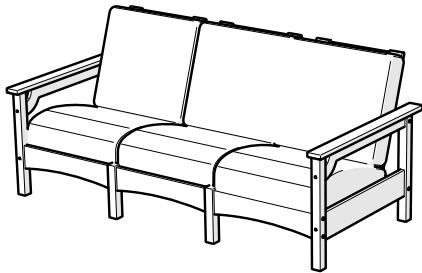
- » 1/3 bleach and 2/3 water solution
- » clean cloth
- » soft bristle brush

Wipe on solution with your cloth and let it sit on the lumber for a few minutes (this will not affect the color). Then, loosen any dirt and debris that may catch in surface grooves with a soft bristle brush; hose down to rinse.

Prior to assembly, sort boxes and verify required sections are accounted for.

SOFA

CLC71 — Club Sofa

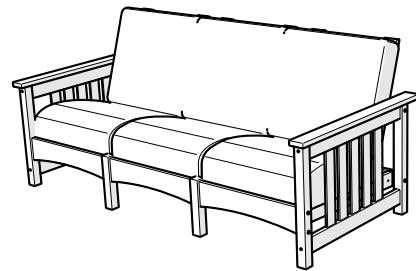


Required Sections:

Items are shipped in multiple boxes

- CLC47
- CLC23C
- XUF0015 - x3

CMC71 — Mission Sofa



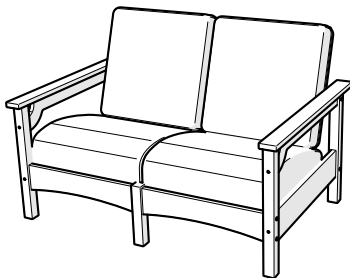
Required Sections:

Items are shipped in multiple boxes

- CMC47
- CMC23C
- XUF0015 - x3

SETTEE

CLC47 — Club Settee

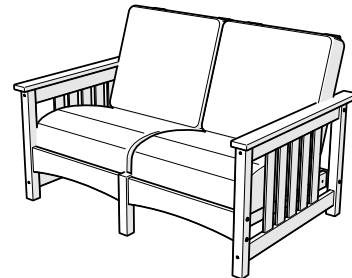


Required Sections:

Items are shipped in multiple boxes

- CLC47
- XUF0015 - x2

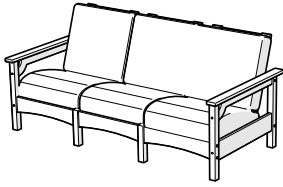
CMC47 — Mission Settee



Required Sections:

Items are shipped in multiple boxes

- CMC47
- XUF0015 - x2



SOFA ASSEMBLY

Club Sofa (CLC71) Shown

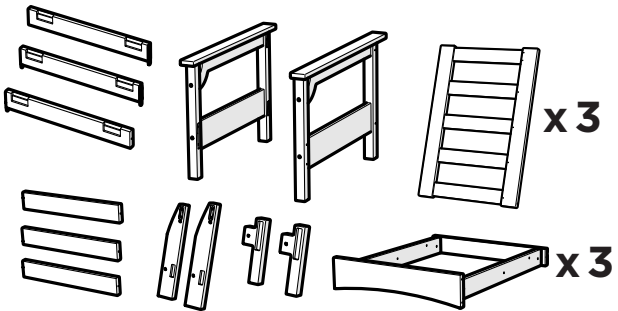
TOOLS



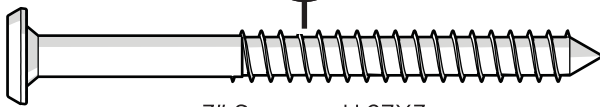
4mm T-handle
hex key (included)

4mm hex, straight,
for drill (included)

PARTS



A x 20



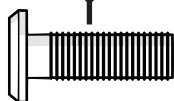
3" Screw — H.27X3

B x 8



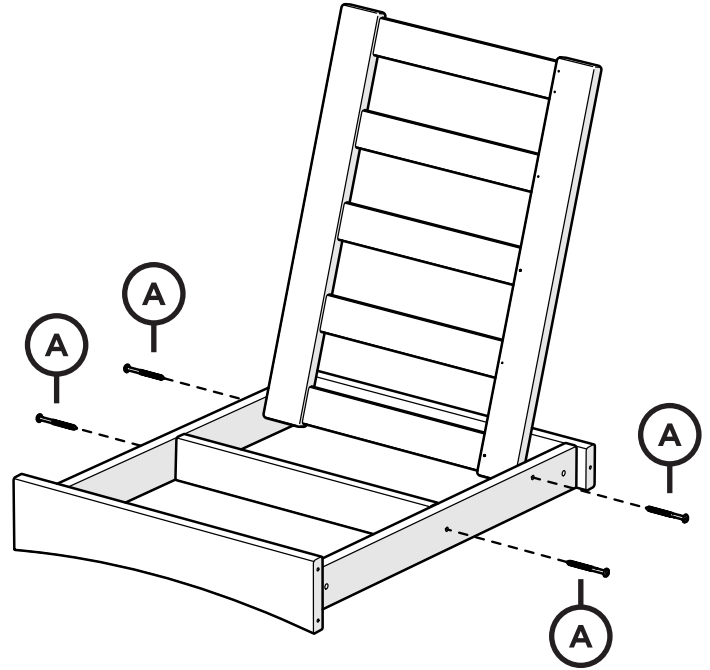
1.75" Bolt — H.25-20X1.75

C x 4



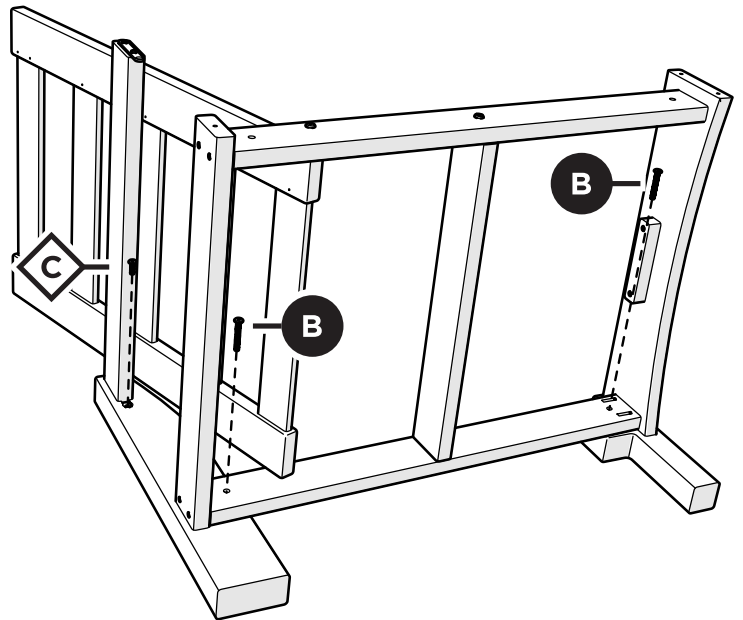
.75" Bolt — H.25-20X.75

1

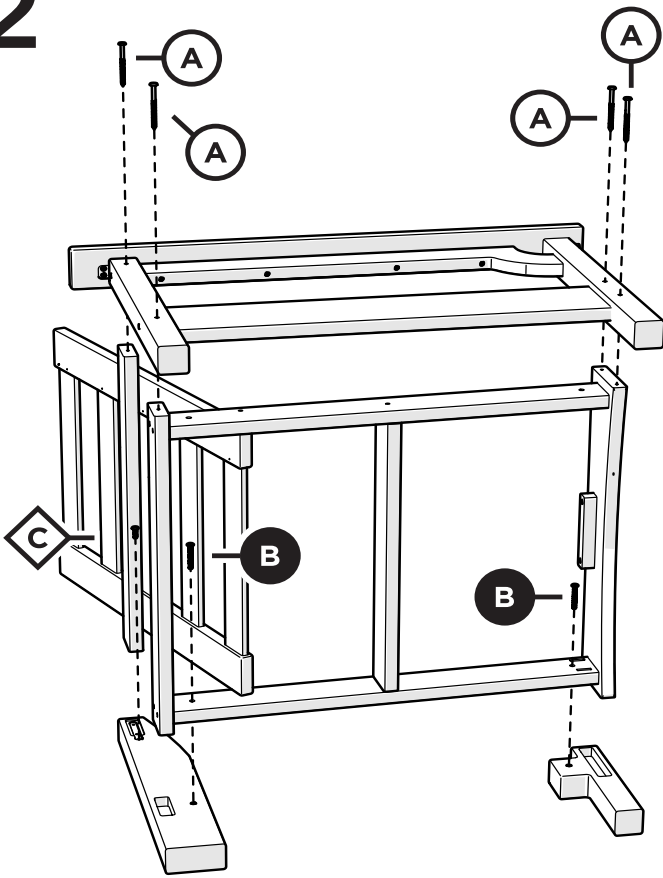


Repeat these steps for all (3) sections

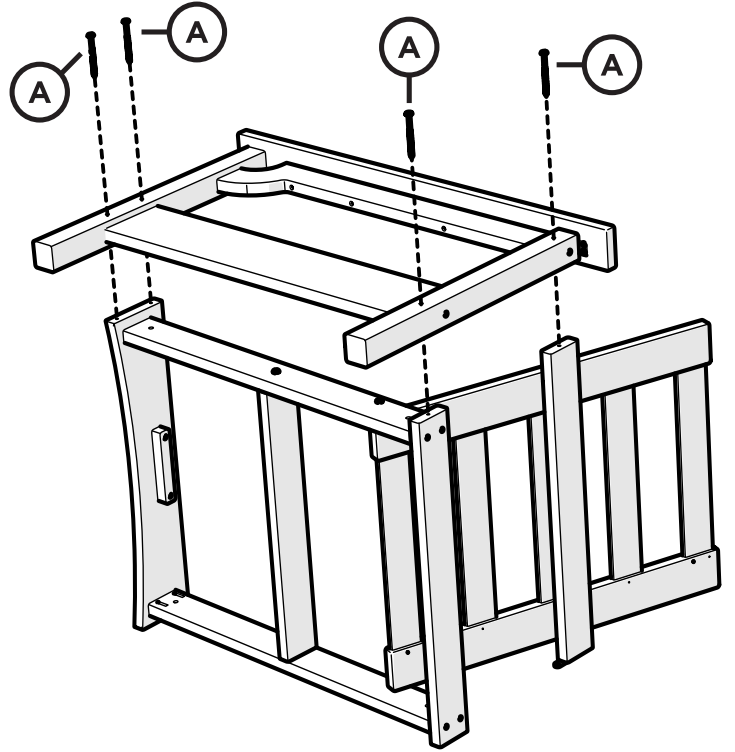
4



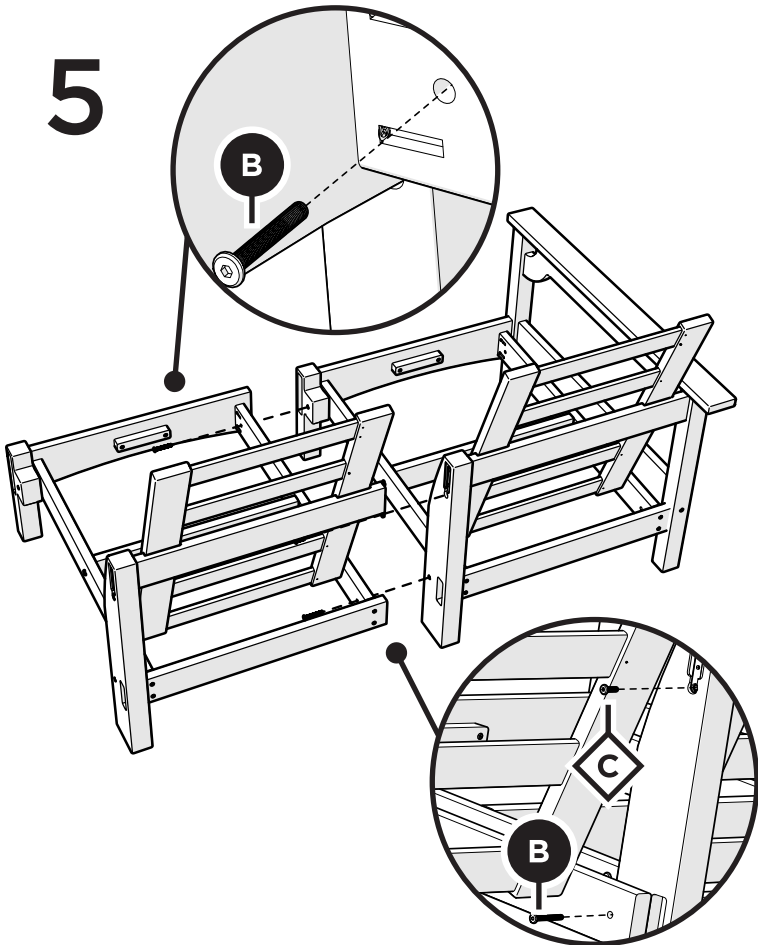
2



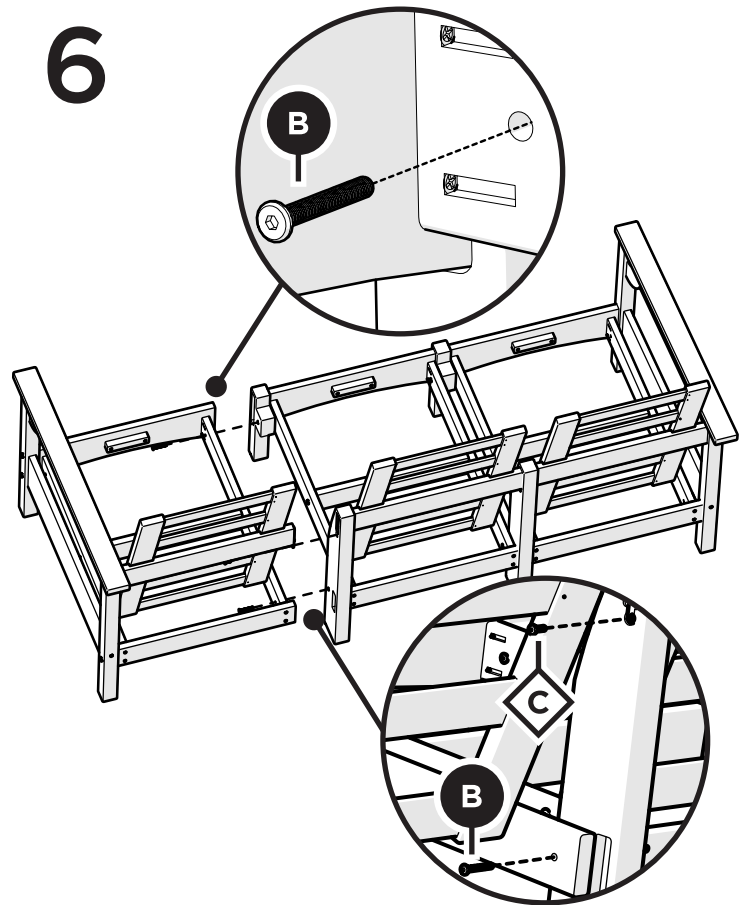
3

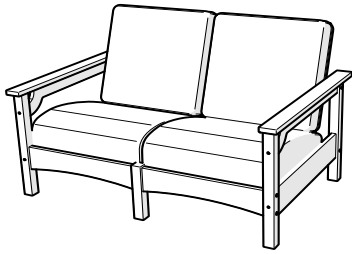


5



6





SETTEE ASSEMBLY

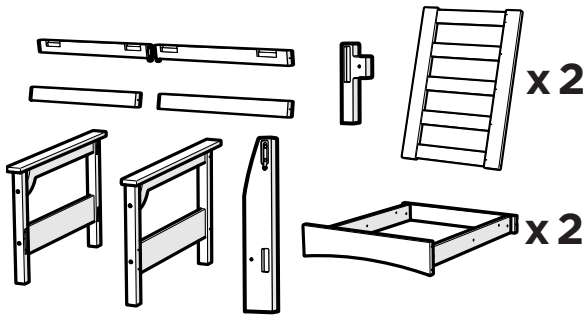
Club Sette (CLC47) Shown

TOOLS

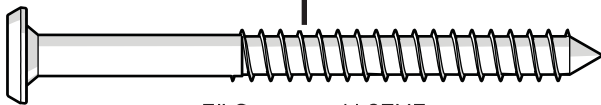


4mm T-handle hex key (included) 4mm hex, straight, for drill (included)

PARTS



A x 16



3" Screw — H.27X3

B x 4



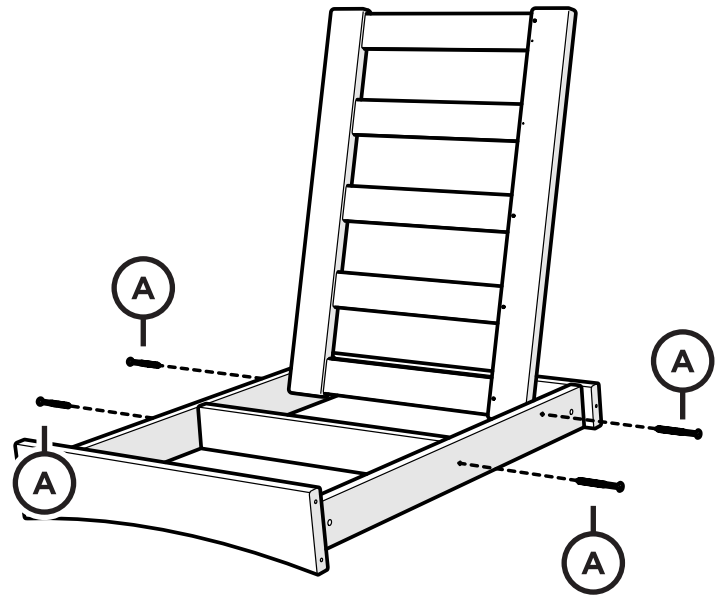
1.75" Bolt — H.25-20X1.75

C x 2



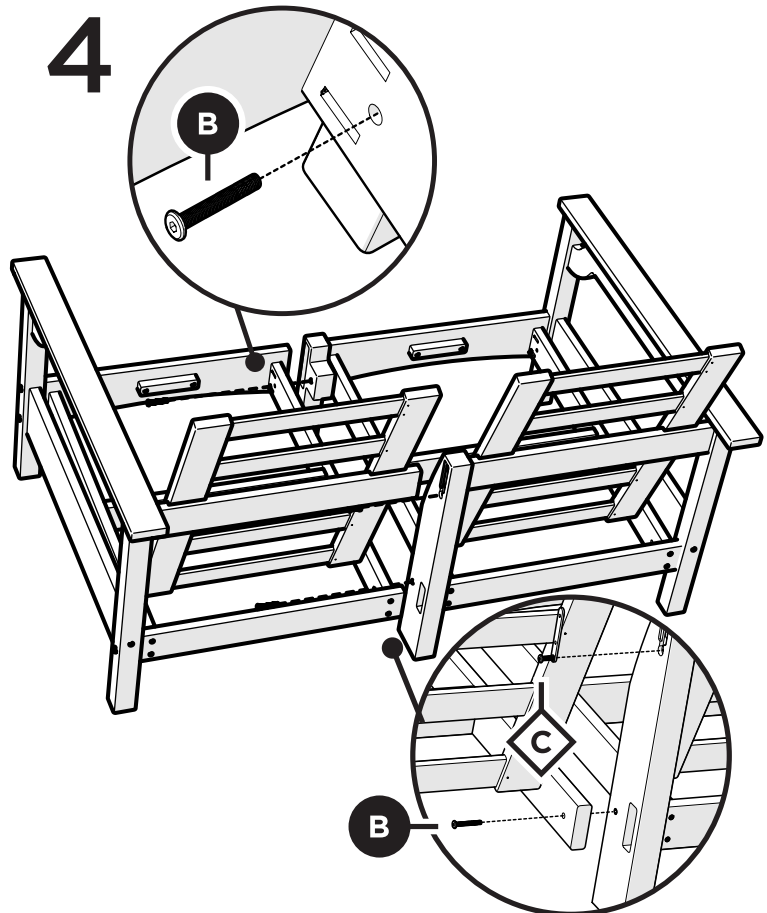
.75" Bolt — H.25-20X.75

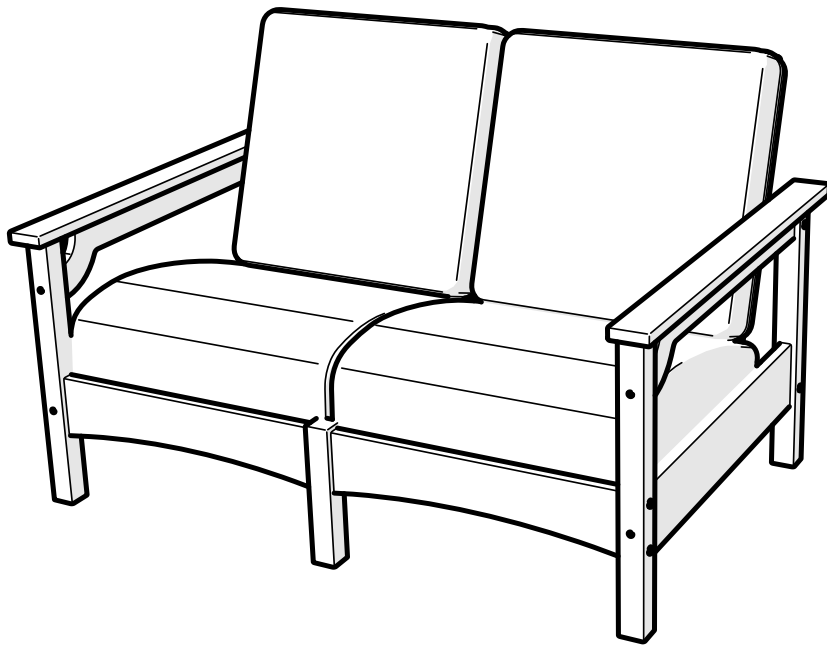
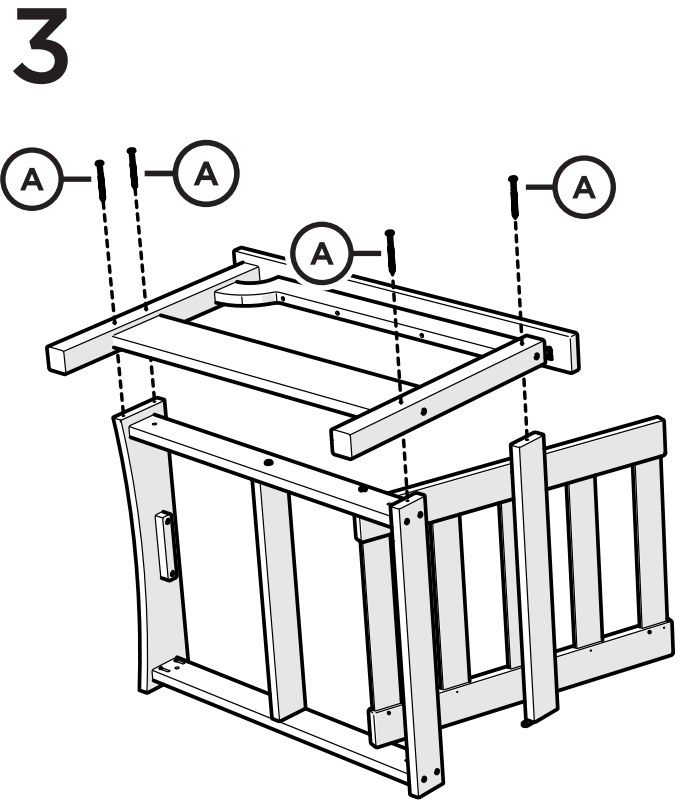
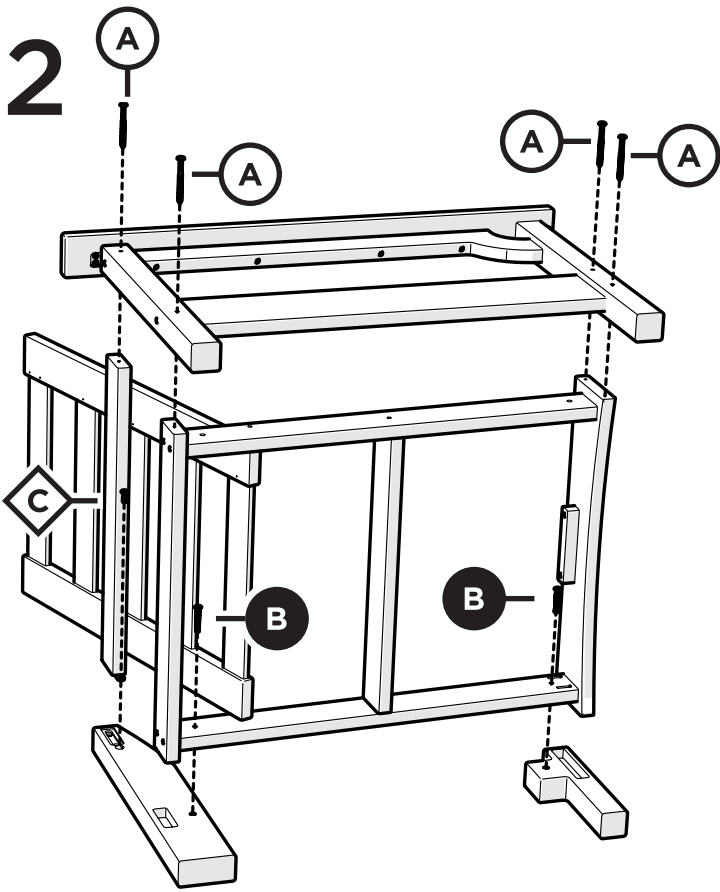
1



Repeat this step for (2) sections

4







..... **20-Year Warranty**

To view our full warranty, please visit
polywoodoutdoor.com/warranty

Easily register your product using
one of the methods below:

Text POLYWOOD to 71403
Receive a link to register online

— or —

Register on our website
register.polywoodoutdoor.com

— or —

Send a Picture
Take a photo of the icon below and
text it to 71403 (US only)

